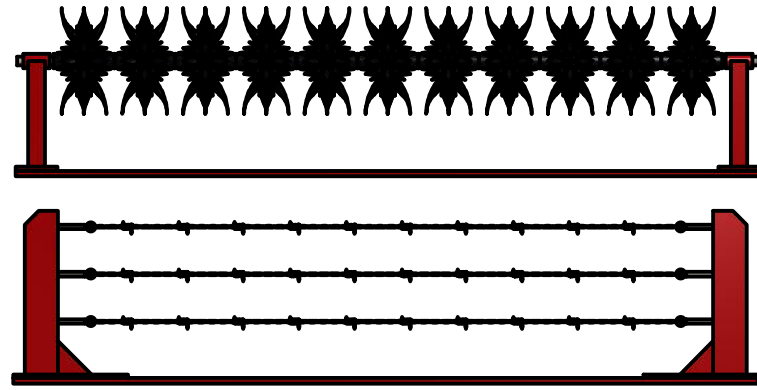
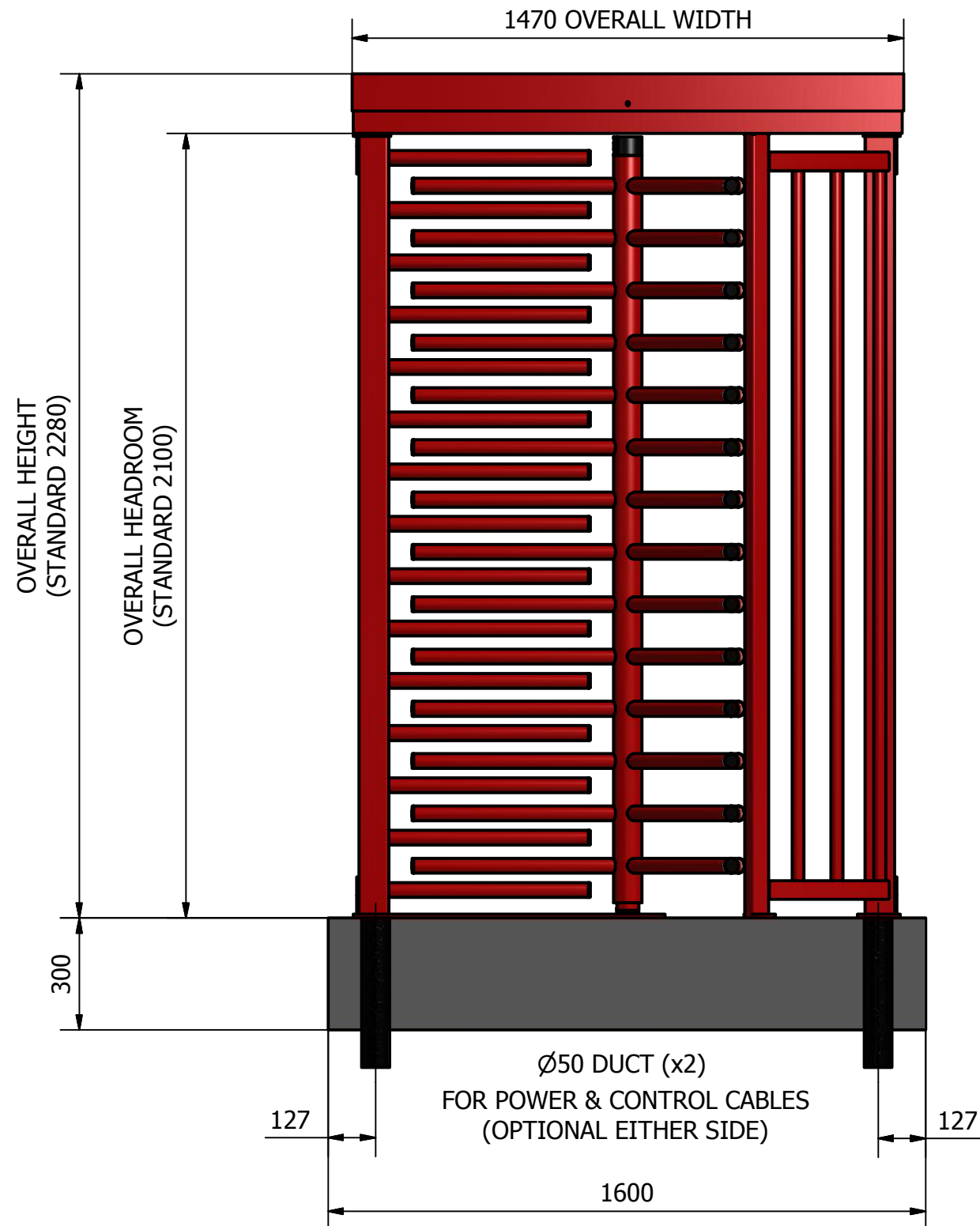
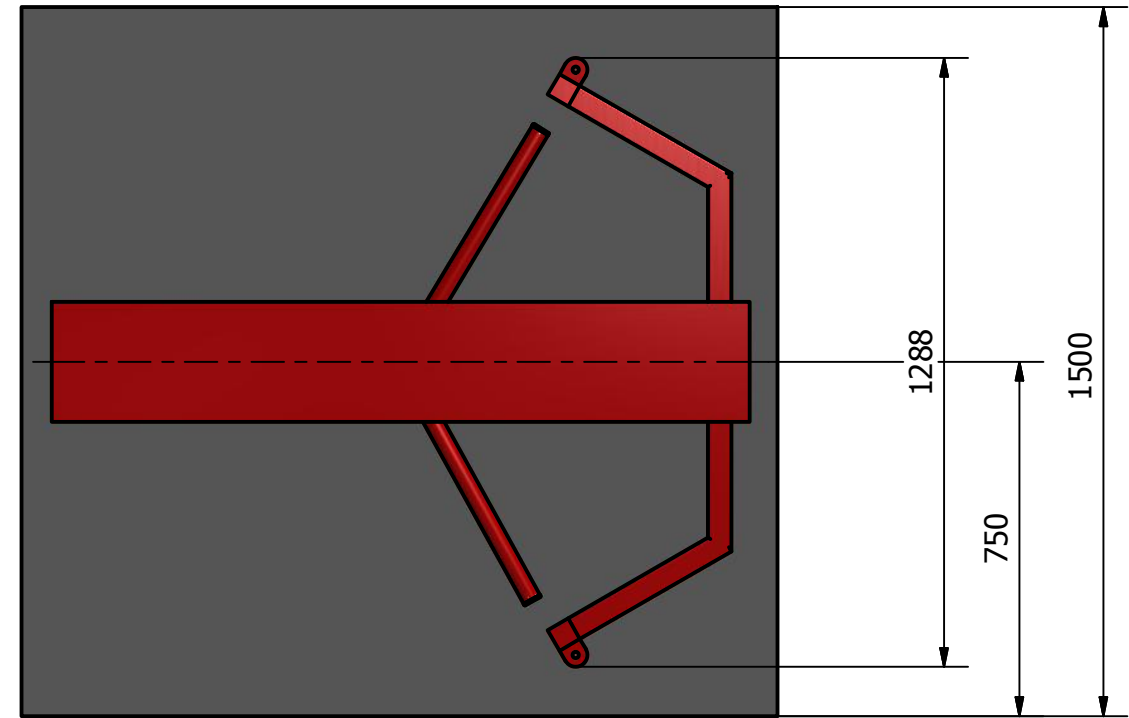


CAPPING OPTIONS:
ROTA SPIKES, BARBED WIRE

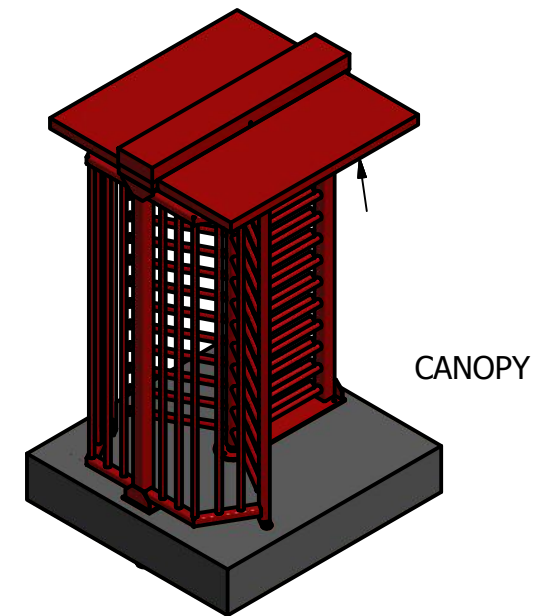


FOUNDATIONS:
ALL CONCRETE TO BE C32/40 OPC - 20MM AGGREGATE (MINIMUM) AND CAST A MINIMUM OF 7 DAYS BEFORE INSTALLATION OF TURNSTILE.
FOUNDATION MUST BE FLAT AND LEVEL.



OPTIONAL ACCESSORIES:

- CANOPY
- DOWN LIGHT
- FIRE ALARM RELEASE



±1.0mm UOS		Finish (OPTIONAL) POWDER COAT/ STAINLESS STEEL/ GALVANISED	
DESIGNED BY josephs	MATERIAL AS PER CONTRACT	DATE 15/02/13	
NEWGATE (NEWARK) LTD BRUNEL DRIVE, NEWARK, NOTTS. NG24 2DE TELEPHONE 01636 700172 EMAIL SALES@NEWGATE.UK.COM		TITLE LAYOUT - TURNSTILE (FULL HEIGHT, SINGLE ROTOR)	
PART No 109-3-37488		ISSUE	SHEET 1 / 1