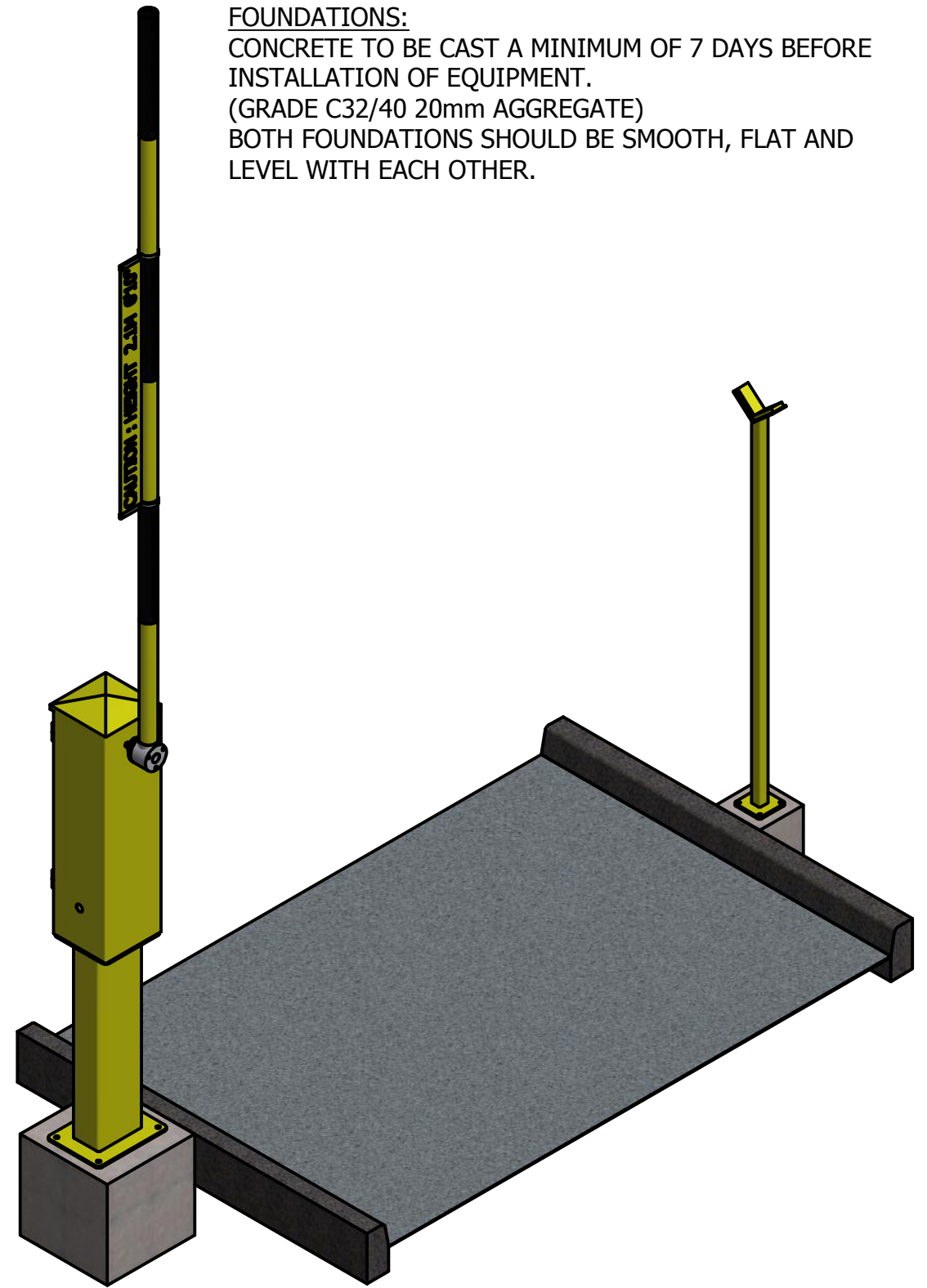


**FOUNDATIONS:**  
 CONCRETE TO BE CAST A MINIMUM OF 7 DAYS BEFORE  
 INSTALLATION OF EQUIPMENT.  
 (GRADE C32/40 20mm AGGREGATE)  
 BOTH FOUNDATIONS SHOULD BE SMOOTH, FLAT AND  
 LEVEL WITH EACH OTHER.



±1.0mm UOS	Finish AS PER CONTRACT		
DESIGNED BY josephs	MATERIAL AS PER CONTRACT	DATE 15/02/13	
NEWGATE (NEWARK) LTD BRUNEL DRIVE, NEWARK, NOTTS. NG24 2DE TELEPHONE 01636 700172 EMAIL SALES@NEWGATE.UK.COM		TITLE LAYOUT - RISING ARM HEIGHT RESTRICTOR	
PART No 105-3-37492		ISSUE	SHEET 1 / 1